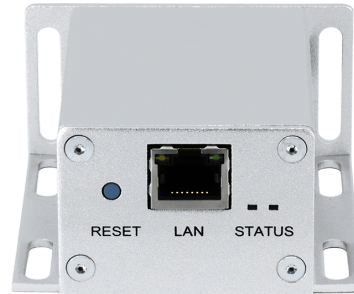


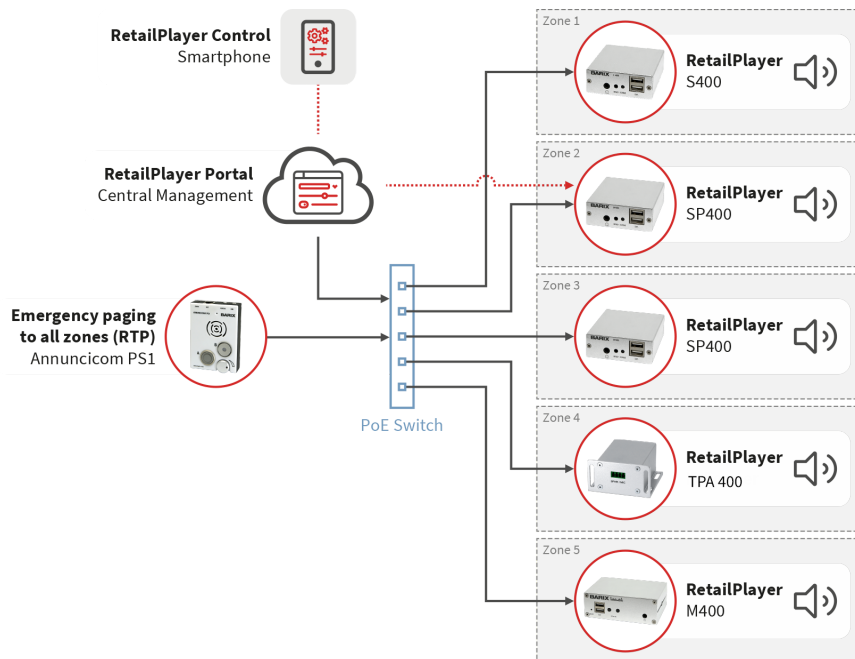
BARIX

RetailPlayer TPA400

IP Speaker Amplifier for Background Music Applications



Introducing RetailPlayer TPA400 - the ultimate solution to transform your existing passive loudspeakers into network loudspeakers. With its easy installation and powerful cloud management portal, you can monitor and control multiple devices worldwide for different brands. With 3 failover playback layers, increased buffer capability, and a Store & Play feature, you can ensure uninterrupted services. The device also offers remote firmware management, crossfading, and multiple scheduling features. Plus, with the RetailHero plan, you can extend scheduling possibilities to assets and play audio cues on demand. The TPA400's solid metal build is compatible with 70/100V Speaker Transformers and can be mounted to any existing speaker. It also comes with a built-in 6W full digital class-D audio amplifier that delivers high-quality audio signals to a 4 or 8 Ohm speaker. Powered by PoE, it's the perfect solution for your audio needs.



Applications

- Background music distribution to retail outlets, hospitals, gyms and restaurants
- Radio distribution system with central management
- Corporate audio streaming solution
- Music on hold systems

Features

- 6.5W RMS @ 4 Ohm Speaker Output
- Plenum Rated per UL Standard 2043
- IEEE 802.3af PoE
- 10/100 Mbps ethernet interface
- (2x) status leds
- Web interface for local configuration
- Secure protocol transmission using TLS v1.2
- Ships with 32 GB of local storage available

Technical Specifications

Operation System

- Embedded Linux based on Yocto

Network Interfaces

- 1 x Ethernet (RJ45) Interface
- IPv4, IPv6 capable
- 10/100 fdx/hdx, auto negotiation
- Protocols supported: TCP/IP, RTP, HTTP(S), DHCP, DNS, NTP

CPU / Memory

- Barix IPAM40x Processor Module
- Quad-Core ARM Cortex™ -A7
- 256MB DDR3 L3
- 16MB SPI Flash
- 32GB SD-Card Flash

Audio Formats

- MP3 CBR/VBR, up to 320 kbps, 8..48 kHz sample freq.
- AAC-HE (AAC, AAC plus, AAC plus V2)
- PCM linear 16bit @44.1 kHz
- G.711
- G.722
- GSM
- Opus, WAV, OGG Vorbis

Audio Interface

- 6.5W RMS @ 4 Ohm on Screw Connector
- 4 – 8 Ohm Speaker Impedance
- Microphone Input 3.3VDC Bias on Screw Conn (for future applications)

User Interface

- Web interface for configuration
- 2 x Multicolor LED Status indicators
- Reset & Factory Defaults Button

Power Requirements

- IEEE 802.3af PoE

MTBF

- > 200'000h

Measurements / Mechanics

- 2.4" x 2.4" x 1.25" / 72mm x 72mm x 38mm
- Mounting ears interaxis: 60mm (for 70/100V Transformer compatibility)
- Weight: 110g

Warranty

- Two year

Environmental

Operating Environment

0 to +50°C / 32 to 122°F

0 - 70% relative humidity, non-condensing

Plenum Rated per UL Standard 2043

Storage Conditions

-20 to +70°C / -4 to 158°F

0 - 70% relative humidity, non-condensing

Certifications

CE, RoHS, FCC

Ordering Information

2020.9314P RetailPlayer TPA400 PoE Package

Barix AG

Limmatstrasse 21, 8005 Zürich, Switzerland

Phone: +41 434 33 22 11

www.barix.com



Direct Link

© Barix AG 2023, all rights reserved. All information is subject to change without notice.

All mentioned trademarks belong to their respective owners and are used for reference only. Product Sheet V2.0



For commercial related questions (distributors contacts, price list, business opportunities) please contact: sales@barix.com



For technical inquiries (problem reports, request for documentation, etc.) please contact: support@barix.com