

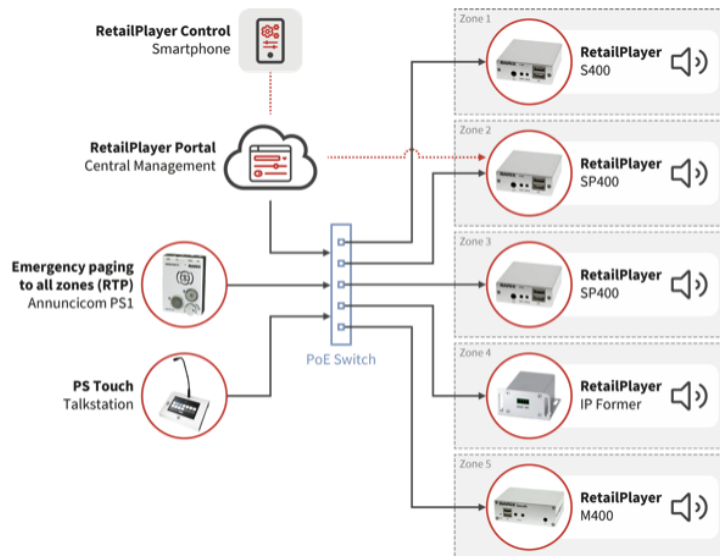
BARIX

RetailPlayer M400

IP Audio Decoder for Background Music Applications.



RetailPlayer M400 - the perfect solution for Background Music playback in professional environments. With its easy installation and powerful cloud management portal, you can monitor and control multiple devices worldwide for different brands. With 3 failover playback layers, increased buffer capability, and a Store & Play feature, you can ensure uninterrupted services. The device also offers remote firmware management, crossfading, and multiple scheduling features. Plus, with the RetailHero plan, you can extend scheduling possibilities to assets and play audio cues on demand. The M400's solid metal build delivers high-quality audio over a stereo output on cinch connectors providing the perfect connection to your amplification system. Where network cables can't be pulled, RetailPlayer M400 supports wi-fi connectivity through Wi-Fi dongles.



Applications

- Background music distribution to retail outlets, hospitals, gyms and restaurants
- Radio distribution system with central management
- Corporate audio streaming solution
- Music on hold systems

Features

- Stereo line level audio output on cinch connectors
- Low power consumption
- 10/100 Mbps ethernet interface
- (2x) status led
- (2x) EXT connections to support external USB pen drives or wi-fi dongles (Realtek 8188EU)
- Headphone output
- RS232 serial port
- Web interface for local configuration
- Secure protocol transmission using TLS v1.2
- Ships with 32 GB of local storage available

Technical Specifications

Operation System

- Embedded Linux based on Yocto

Network Interfaces

- 1 x Ethernet (RJ45) Interface
- IPv4, IPv6 capable
- 10/100 fdx/hdx, auto negotiation
- TCP/IP, RTP, DHCP, HTTP(S), DNS, NTP

CPU / Memory

- Barix IPAM400 Processor Module
- Quad-Core ARM Cortex™ -A7
- 256MB DDR3 SDRAM
- 16MB SPI Flash
- 32GB SD-Card Flash

Audio Formats

- MP3 CBR/VBR, up to 320 kbps, 8..48 kHz sample freq.
- AAC-HE (AAC, AAC plus, AAC plus V2)
- PCM linear 16bit @44.1 kHz
- FLAC, WAV, OGG Vorbis
- Opus

Audio Interface

- Line level 0dBu nominal on RCA connectors, stereo output
- Output level software controllable

User Interface

- Web interface for configuration
- RetailPlayer Management Portal
- 2 x Multicolor LED Status indicators
- Reset & Factory Defaults Button

Power Requirements

- 5VDC, 10W maximum on 5.5x2.1mm barrel connector (inner positive)

MTBF

- > 200'000h

Measurements / Mechanics

- 108x38x78.7mm / 4.25"x1.5"x3.1"

Weight

- 250g

Warranty

Two years

Environmental

Operating Environment

0 to +50°C / 32 to 122°F

0 - 70% relative humidity, non-condensing

Storage Conditions

-20 to +70°C / -4 to 158°F

0 - 70% relative humidity, non-condensing

Certifications

CE, RoHS, FCC

Ordering Information

2020.9318 RetailPlayer M400 EU Package

2020.9319 RetailPlayer M400 US Package

2020.9320 RetailPlayer M400 UK Package

2020.9321 RetailPlayer M400 NoPSU Package

Barix AG

Limmatstrasse 21, 8005 Zürich, Switzerland

Phone: +41 434 33 22 11

www.barix.com



Direct Link

© Barix AG 2021, all rights reserved. All information is subject to change without notice.
All mentioned trademarks belong to their respective owners and are used for reference only.



For commercial related questions (distributors contacts, price list, business opportunities) please contact: sales@barix.com



For technical inquiries (problem reports, request for documentation, etc.) please contact: support@barix.com