

INSTREAMER

®



INSTREAMER

**Network audio converter
for digital audio streaming in
custom home installation
and commercial applications**

Barix AG
Seefeldstrasse 303
CH-8008 Zürich
Switzerland

T +41 43 433 22 11
F +41 1 274 28 49

www.barix.com
info@barix.com



Converter for fully featured network-based multizone audio distribution system

Converting of analog and digital audio sources such as tape, tuner, cd/md player

IR Remote controls attached devices over the network

Control via home automation software, web browser and IR remote control



THINK FURTHER

INSTREAMER

Technical Specifications

Audio Format:

Encodes MP3 (VariableBitRate up to 192 kBit)

Audio Interfaces:

Line In (RCA, 2Vpp max level)

S/PDIF In (optical, RCA)

Headphone Out (3.5 mm Jack)
level adjustable by browser

Network Interface:

RJ45 10/100 Mbit Ethernet (Auto), TCP/IP,
UDP, ICMP, DHCP, AutoIP, SonicIP®, IPzator™,
SMB/CIFS

integrated web server for control and
configuration

Control Interfaces:

DSub 9pin male, 9600 Baud 8, N, I

3.5 mm Jack Infrared output for IR transmitter

Misc:

Two LED (red and green) status indicators
Reset/Factory default button

Power requirements:

12 VDC 0.5 A, 230 VAC (EC) or

110 VAC (US) power supply included

Case:

aluminium elox, 480 g, 6.5" x 1.5" x 5"

165 mm x 38 mm x 127 mm

Certifications:

FCC, CE

User Interface:

browser based (integrated webserver),
serial port or ethernet control API for home
automation systems

The Instreamer® is a versatile, network-connected analog and digital audio-to-Ethernet converter for a variety of applications.

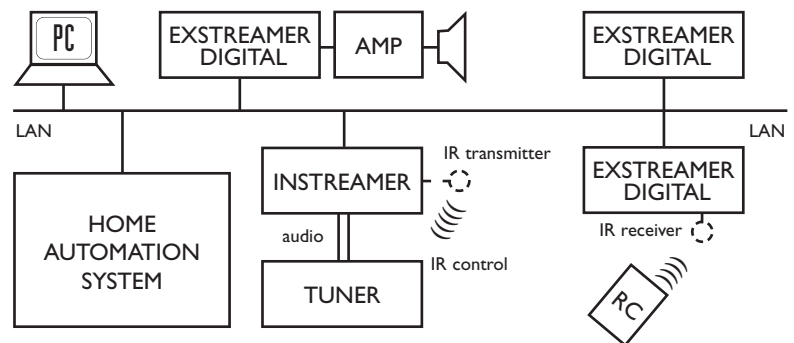
This device enables professional home installers to satisfy all customer requests when setting up a distributed audio system.

The Instreamer converts analog and digital audio into MP3 streams and serves the network just like an ordinary Internet radio station.

An Instreamer can be easily managed via a web browser interface using web-connected PCs, web pads, PDAs or other web-enabled devices. With serial and ethernet control API's the device can be controlled by typical home automation systems.

The Instreamer is perfect for converting several digital and analog sources such as tapes, tuner, cd or minidisc and distributing it over the network.

With an optional stick-on transmitter attached IR enabled devices can be remote controlled via the network connection enabling the user to switch the station on a tuner or select a different song on a cd player without beeing in the same room as the device.



Connection to audio equipment is made simple by offering stereo RCA analog as well as S/PDIF and coax digital inputs.

Installing the Instreamer is fast and simple due to its unique features - SonicIP and IPzator: after power-up the device will announce its IP address over the headphone output !

The Instreamer supports various control and communication modes. Software developers can easily write audio applications using one of the well documented Ethernet, serial or web based interfaces.

For further information, detailed technical specifications and information about other versions and products please visit www.barix.com