

J3

Pin	Function
1	REL 2
2	NO 2
3	NC 2
4	REL 1
5	NO 1
6	NC 1

To power the device wire the + (9..30VDC) to pin 15 (Vcc) and the - (GND) to pin 16 (Vss) of the connector J6.

J6

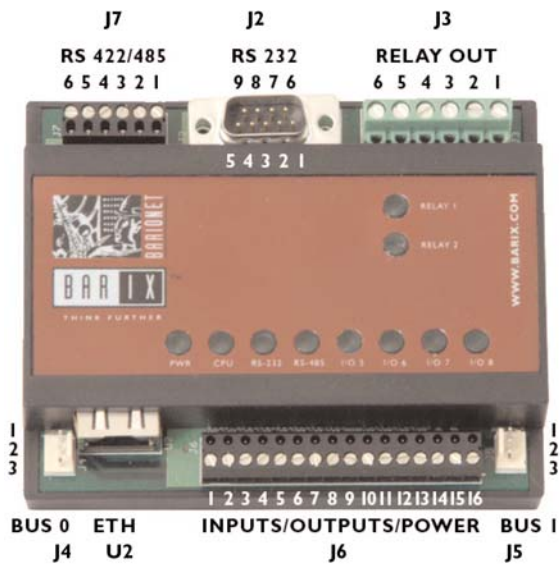
Pin	Function
1	Input 1 (A/D)
2	Input 2 (A/D)
3	Input 3 (A/D)
4	Input 4 (A/D)
5	Input 5 (D)
6	Input 6 (D)
7	Input 7 (D)
8	Input 8 (D)
9	Ground for Inputs
10	Output 1 (D)
11	Output 2 (D)
12	Output 3 (D)
13	Output 4 (D)
14	Ground for Outputs
15	Vcc (+9..30VDC)
16	Vss Ground

J7

Pin	422	485
1	Shield	Shield
2	RXB	Not used
3	RXA	Not used
4	TXB	TXB/RXB
5	TXA	TXA/RXA
6	Shield	Shield

J2

Pin	Direction	Function
1		nc
2	to Barionet	RxD Receive data
3	from Barionet	TxD Transmit data
4	from Barionet	nc or unregulated Power (VCC) when L2 closed (see warning !)
5	from Barionet	Ground
6		nc
7	from Barionet	RTS
8	to Barionet	CTS
9		nc



J3

Pin	Function
1	REL 2
2	NO 2
3	NC 2
4	REL 1
5	NO 1
6	NC 1

To power the device wire the + (9..30VDC) to pin 15 (Vcc) and the - (GND) to pin 16 (Vss) of the connector J6.

J6

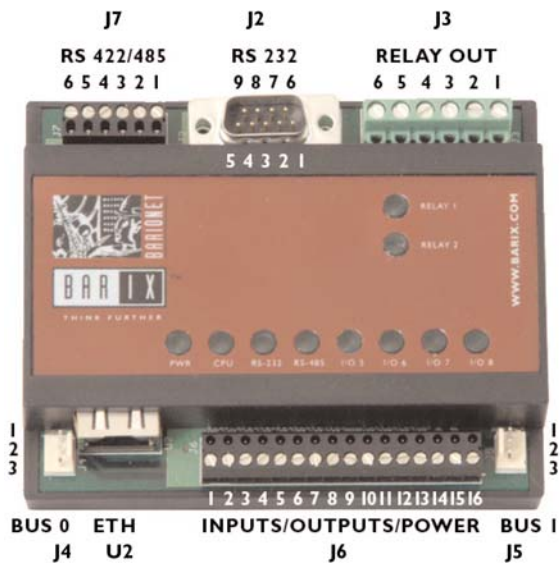
Pin	Function
1	Input 1 (A/D)
2	Input 2 (A/D)
3	Input 3 (A/D)
4	Input 4 (A/D)
5	Input 5 (D)
6	Input 6 (D)
7	Input 7 (D)
8	Input 8 (D)
9	Ground for Inputs
10	Output 1 (D)
11	Output 2 (D)
12	Output 3 (D)
13	Output 4 (D)
14	Ground for Outputs
15	Vcc (+9..30VDC)
16	Vss Ground

J7

Pin	422	485
1	Shield	Shield
2	RXB	Not used
3	RXA	Not used
4	TXB	TXB/RXB
5	TXA	TXA/RXA
6	Shield	Shield

J2

Pin	Direction	Function
1		nc
2	to Barionet	RxD Receive data
3	from Barionet	TxD Transmit data
4	from Barionet	nc or unregulated Power (VCC) when L2 closed (see warning !)
5	from Barionet	Ground
6		nc
7	from Barionet	RTS
8	to Barionet	CTS
9		nc



J3

Pin	Function
1	REL 2
2	NO 2
3	NC 2
4	REL 1
5	NO 1
6	NC 1

To power the device wire the + (9..30VDC) to pin 15 (Vcc) and the - (GND) to pin 16 (Vss) of the connector J6.

J6

Pin	Function
1	Input 1 (A/D)
2	Input 2 (A/D)
3	Input 3 (A/D)
4	Input 4 (A/D)
5	Input 5 (D)
6	Input 6 (D)
7	Input 7 (D)
8	Input 8 (D)
9	Ground for Inputs
10	Output 1 (D)
11	Output 2 (D)
12	Output 3 (D)
13	Output 4 (D)
14	Ground for Outputs
15	Vcc (+9..30VDC)
16	Vss Ground

J7

Pin	422	485
1	Shield	Shield
2	RXB	Not used
3	RXA	Not used
4	TXB	TXB/RXB
5	TXA	TXA/RXA
6	Shield	Shield

J2

Pin	Direction	Function
1		nc
2	to Barionet	RxD Receive data
3	from Barionet	TxD Transmit data
4	from Barionet	nc or unregulated Power (VCC) when L2 closed (see warning !)
5	from Barionet	Ground
6		nc
7	from Barionet	RTS
8	to Barionet	CTS
9		nc



THINK FURTHER

Barix AG
Seefeldstrasse 303
CH-8008 Zürich
Switzerland

T +41 43 433 22 11
F +41 1 274 28 49

www.barix.com
info@barix.com

US toll free number:
1-866-815-0866

Barionet Leaflet V1.0

For technical support
please contact your local
distributor or dealer.



BARIONET

Universal network-enabled automation interface for
home automation, commercial control and monitoring applications

For installation see the wiring diagram inside

For configuration please visit our web site: www.barix.com

Click on support and download the current "Barionet Quick Install",
the "Barionet User's Manual" and the "Update package" from the
download section. Unzip the "Update package" and apply it according
to the instructions in the "ReadMe.txt" file. Open the "Quick Install"
and the "User's Manual" in Acrobat Reader for configuration instructions.



THINK FURTHER

Barix AG
Seefeldstrasse 303
CH-8008 Zürich
Switzerland

T +41 43 433 22 11
F +41 1 274 28 49

www.barix.com
info@barix.com

US toll free number:
1-866-815-0866

Barionet Leaflet V1.0

For technical support
please contact your local
distributor or dealer.



BARIONET

Universal network-enabled automation interface for
home automation, commercial control and monitoring applications

For installation see the wiring diagram inside

For configuration please visit our web site: www.barix.com

Click on support and download the current "Barionet Quick Install",
the "Barionet User's Manual" and the "Update package" from the
download section. Unzip the "Update package" and apply it according
to the instructions in the "ReadMe.txt" file. Open the "Quick Install"
and the "User's Manual" in Acrobat Reader for configuration instructions.



THINK FURTHER

Barix AG
Seefeldstrasse 303
CH-8008 Zürich
Switzerland

T +41 43 433 22 11
F +41 1 274 28 49

www.barix.com
info@barix.com

US toll free number:
1-866-815-0866

Barionet Leaflet V1.0

For technical support
please contact your local
distributor or dealer.



BARIONET

Universal network-enabled automation interface for
home automation, commercial control and monitoring applications

For installation see the wiring diagram inside

For configuration please visit our web site: www.barix.com

Click on support and download the current "Barionet Quick Install",
the "Barionet User's Manual" and the "Update package" from the
download section. Unzip the "Update package" and apply it according
to the instructions in the "ReadMe.txt" file. Open the "Quick Install"
and the "User's Manual" in Acrobat Reader for configuration instructions.