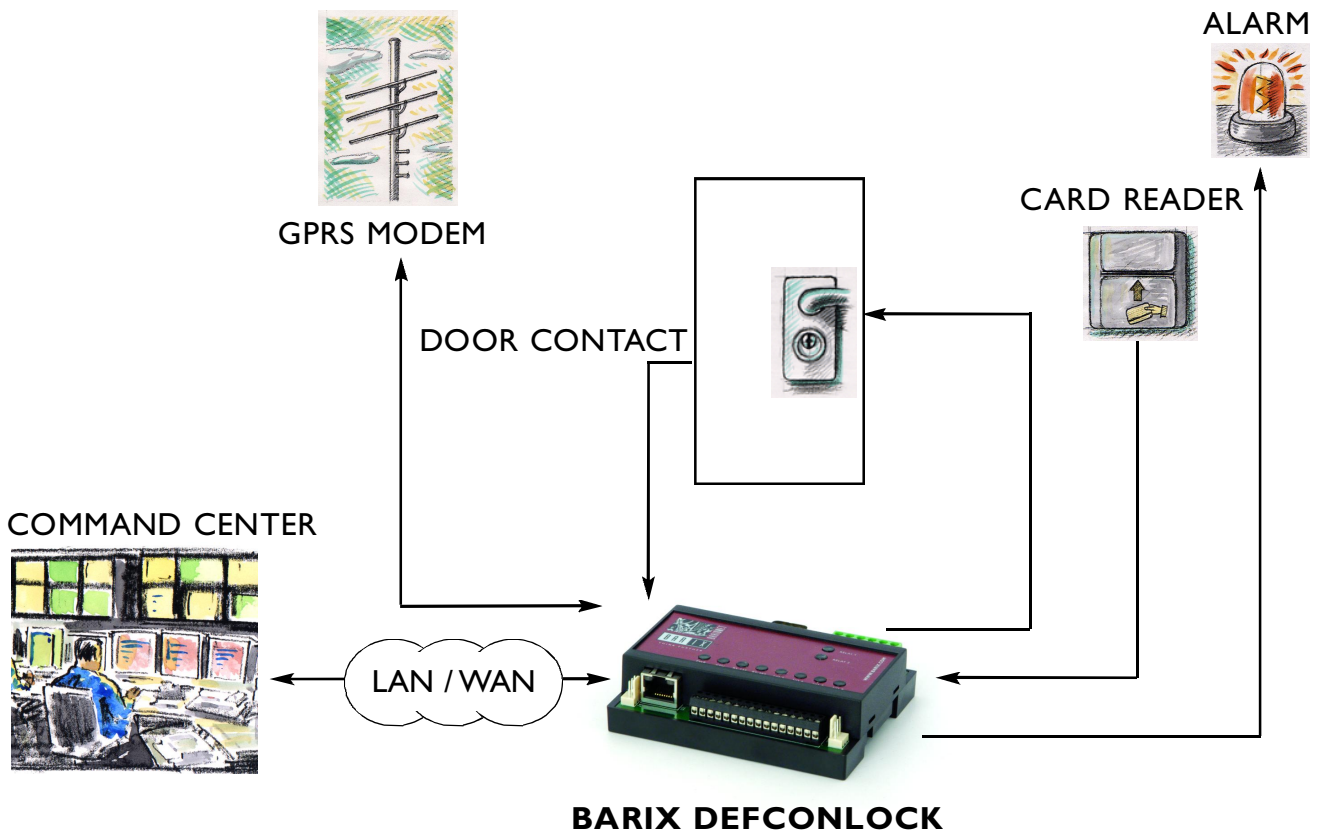


Standalone or Network Connected Access Control



No Chance for Unwanted Visitors

Trust is good, but control is better, especially when it comes to protecting a building or sensitive infrastructure from unauthorized people. Barix knows who to let in and who to keep out.

The multifunctional Barix Defconlock controls doors, monitors access authorization and activates an alarm if required by connecting over your network or the Internet.

The intelligent component can be connected to a variety of security peripherals such as badge readers, proximity devices, electronic door strikes and sensors of any kind.

The system is able to operate autonomously in a stand-alone solution and has the ability to connect online to a server for control and configuration or to transmit status updates in time intervals and upon triggered events.

For further information, detailed technical specification and information about other versions and products please visit www.barix.com