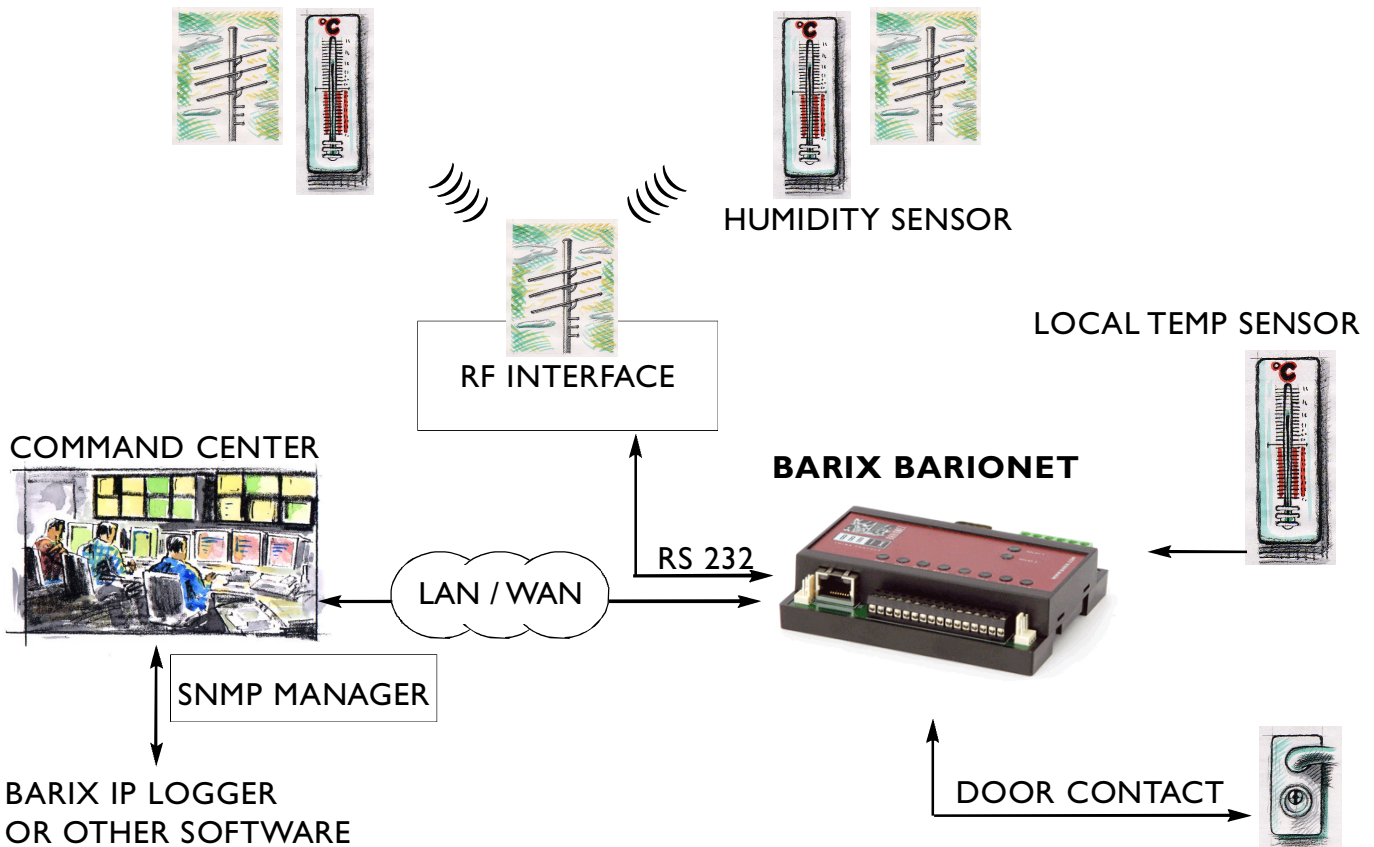


# Remote Control



## No one here but everything under control

The long distance surveillance of warehouses, cold storage rooms, sensitive infrastructure or empty vacation homes is not a challenge for Barix.

With Barix technology on site, your maintenance or security personnel can be supported or even replaced.

The smart component that monitors your property and even reacts when something goes wrong is called Barix Barionet.

The Barix Barionet can be controlled by a PC and transmit system status, humidity, temperature and system data as well as other relevant information over email or optional sms at user defined time intervals.

If something goes wrong the connected sensors are able to activate over RS-485 interface a local alarm and send an alarm message to the server. The Barionet is self monitoring and able to automatically inform the server if a sensor or connected device has failed.

For further information, detailed technical specification and information about other versions and products please visit [www.barix.com](http://www.barix.com)